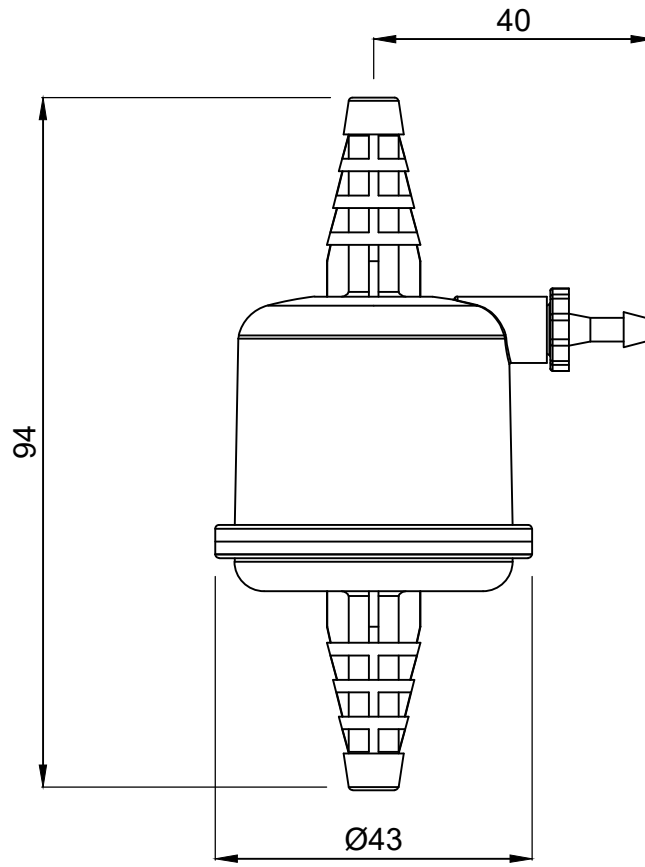


DO NOT SCALE THE DRAWING  
ALL DIMENSIONS ARE IN mm



PART	QUANTITY	REF. NO.	DESCRIPTION	MATERIAL	FINISHED SIZE	HARDNESS	REMARK

REV. NO.	ECN. NO.	DATE	DESCRIPTION	REV. NO.	ECN. NO.	DATE	DESCRIPTION

mdi Advanced Microdevices Pvt. Ltd. 20, 21, Industrial Area , Ambala Cantt., 133006			SCALE	PROJ.	DATE	SIGN.	TOLERANCE UNLESS SPECIFIED				
1" Capsule Filter With 1/4" Stepped Hose Barb I/O	REV. NO.	FORMAT NO. 5		DRAWN			C	A±0.100	A±0.050	A±0.025	A±0.010
				DESIGNED			T	A±0.050	A±0.025	A±0.010	A±0.000
				CHECKED			S				
				APPROVED			ANGLE	A±2Å°	A±2Å°	A±2Å°	A±2Å°